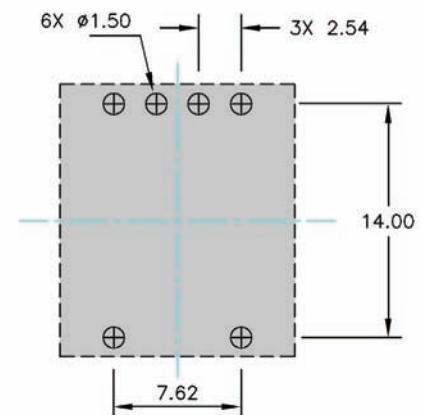
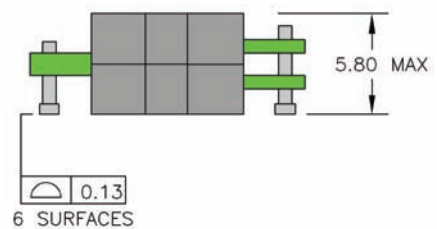
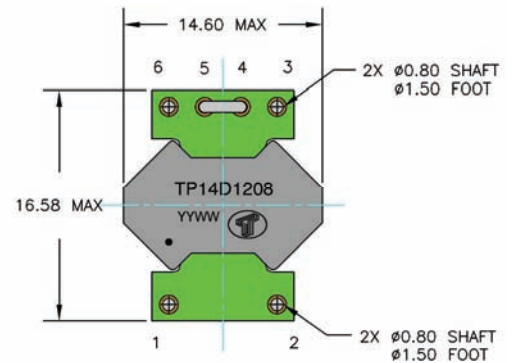


TP14 SERIES

High Frequency 15 Watts
Planar Transformers



SUGGESTED PAD LAY-OUT

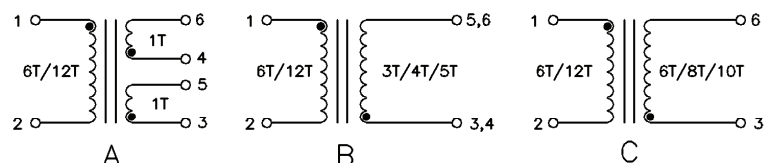
FEATURES

- Power Rating Up to 15 Watts
- High Efficiency
- Footprint 14.60 mm X 16.58 mm
- Lower Profile of 5.80 mm
- High Isolation (operational) 1500 Vdc
- High Frequency 200 kHz – 3.0 MHz
- Operating Temperature -40° C to +125° C

DESCRIPTION

The TP14 series of planar transformers are optimised for power supplies of high performance DC/DC converters. Due to an optimised core, winding geometry and interleaving technology, they are able to offer a high efficiencies, high power density of 400 watts per cubic inch, lower profile of 5.80 mm. The series consist of 12 part numbers, they are intended for use of DC-DC converters with forward, full-bridge, half-bridge and push – pull power supplies. Topologies in application with input voltages between 18 and 75 volts, and output voltages from 18 volts down to 1.2 volts.

Weight 3.20 grams
Tray 70/tray



SCHEMATICS

TP14 SERIES

High Frequency 15 Watts
Planar Transformers

ELECTRICAL SPECIFICATIONS											
Part Number	Primary ¹	Leakage ² Inductance (uH Max)	DC Resistance (m Ω Max)				Turns Ratio		primary Second Hi --Pot	Figure	M. Height
	Inductance (uH Min)		Primary			Secondary	Primary	Secondary			
		A	B	AUX							
TP14D0601	30.00	0.50	46.0	N/A	N/A	1.80	6 T	1T // 1T	1500 VDC	A	5.80 mm Max
TP14D0602	30.00	0.50	46.0	N/A	N/A	3.60	6 T	2 T			
TP14D0603	30.00	0.50	46.0	N/A	N/A	20.0	6 T	3 T			
TP14D0606	30.00	0.45	46.0	N/A	N/A	40.0	6 T	6 T			
TP14D0608	30.00	0.45	46.0	N/A	N/A	55.0	6 T	8 T			
TP14D0610	30.00	0.45	46.0	N/A	N/A	100	6 T	10 T			
TP14D1201	120.0	1.00	150	N/A	N/A	1.80	12 T	1T // 1T	1500 VDC	A	
TP14D1202	120.0	1.00	150	N/A	N/A	3.60	12 T	2 T			
TP14D1203	120.0	1.00	150	N/A	N/A	20.0	12 T	3 T			
TP14D1206	120.0	0.95	150	N/A	N/A	40.0	12 T	6 T			
TP14D1208	120.0	0.95	150	N/A	N/A	55.0	12 T	8 T			
TP14D1210	120.0	0.95	150	N/A	N/A	100	12 T	10 T			

The following is a matrix of the winding configurations. They are ideally suited to hand between 10 to 15 watts of power supply on DC/CD converters application.

APPLICATION OF CONFIGURATION					
Part Number	Vin	Vout & Iout	Part Number	Vin	Vout & Iout
TP14D0601	18 – 36 Vdc	1.2V@12.5A --1.8V@8.33A	TP14D1201	36 – 75 Vdc	1.2V@12.5A --1.8V@8.33A
TP14D0602	18 – 36 Vdc	2.5V@6.00A -- 3.3V@4.55A	TP14D1202	36 – 75 Vdc	2.5V@6.00A -- 3.3V@4.55A
TP14D0603	18 – 36 Vdc	5.0 V @ 3.00 A	TP14D1203	36 – 75 Vdc	5.0 V @ 3.00 A
TP14D0606	18 – 36 Vdc	8.0V@1.88A -- 10V@1.50A	TP14D1206	36 – 75 Vdc	8.0V@1.88A -- 10V@1.50A
TP14D0608	18 – 36 Vdc	12V@1.25A -- 15V@1.00A	TP14D1208	36 – 75 Vdc	12V@1.25A -- 15V@1.00A
TP14D0610	18 – 36 Vdc	16V@0.93A -- 18V@0.833A	TP14D1210	36 – 75 Vdc	16V@0.93A -- 18V@0.833A

NOTES:

1. The inductance is measured between Pin (1--2) at 100 kHz, 100 mVrms
2. The leakage inductance is measured in primary winding Pin(1--2) with secondary winding shorted.
3. All specifications typical at T_A=25° C ±5° C.